

## About Rotokinetics

Rotokinetics specializes in providing technical services, equipment and accessories for the rotational casting or rotational molding of thermo-set materials such as polyurethane, polyester, epoxy, plaster, gypsum, and other compounds.

Our product line includes the RK Series rotational molding machines for thermo-set compounds as well as vacuum chambers for vacuum degassing or deaeration of rubber molding compounds such as silicone, and urethane.

We also provide consulting services such as mold design and fabrication. For existing designs we offer contract rotational molding. This makes Rotokinetics a one-stop source for your rotational molding needs.



Member  
Association of  
Rotational  
Molders  
International

[rotomolding.org](http://rotomolding.org)

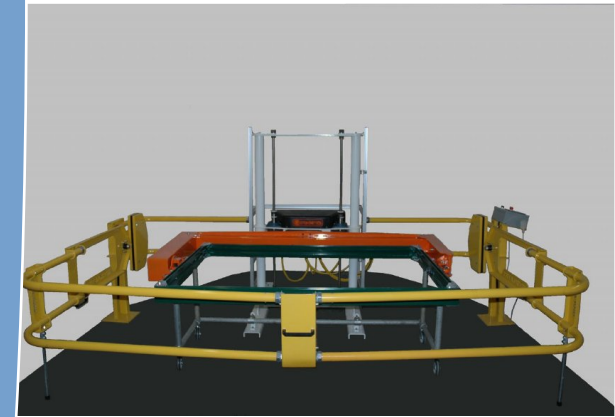
**Rotokinetics, LLC**  
**4035 Danielsville Rd.**  
**Athens, GA 30601**

**Tel: (706) 534-1133**  
**Fax: (706) 534-9933**  
**Email: [info@rotokinetics.com](mailto:info@rotokinetics.com)**



# Rotokinetics

## RK Series Rotomolders



Better Performance...  
Through Innovative Design

<http://rotokinetics.com>

## Rotomolders

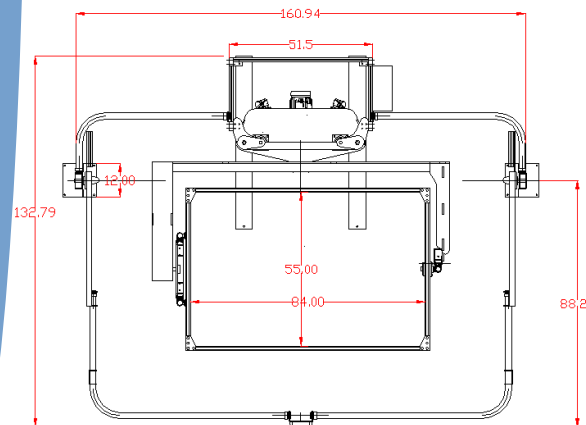
The rotomolders from Rotokinetics, LLC are designed to support the manufacturing of small, seamless, hollow parts from a variety of materials without the need for an external heat source. With several sizes available, one is perfect for your application.



**RK5450 Rotomolder**

## Features

- High production capacity
- "Power Load" feature offers effortless transfer of molds to and from machine
- Configurable direction, speed, time delays, of both major and minor axis
- Exclusive Rock n' Roll feature
- Remote operator station allows safe, rapid loading and unloading while providing excellent visibility of the process
- Save and recall programs for individual parts
- Monitor running program
- Safety features including integrated guarding, interlocks and overload detection



**RK8455 Dimensional Drawing**

## Model Comparison

	Max. Mold Size	Max. Load
RK8455	84" x 55"	650 lbs
RK6655	66" x 55"	575 lbs
RK5450	54" x 50"	500 lbs



**Three sizes available**

**Rotokinetics, LLC**  
**4035 Danielsville Rd.**  
**Athens, GA 30601**

**Tel: (706) 534-1133**  
**Fax: (706) 534-9933**  
**Email: [info@rotokinetics.com](mailto:info@rotokinetics.com)**